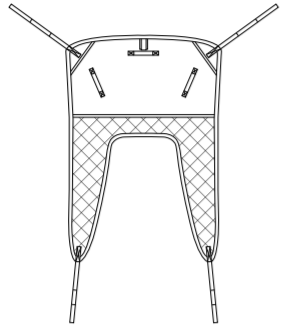


Shapes

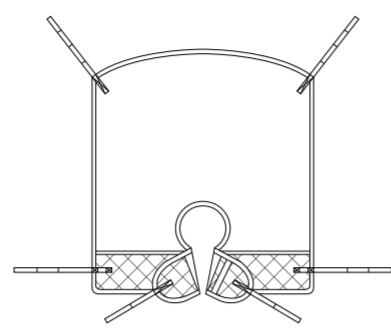
Fastfit Sling (Padded Legs)

Product Codes - Poly: S2A, Mesh: S2B



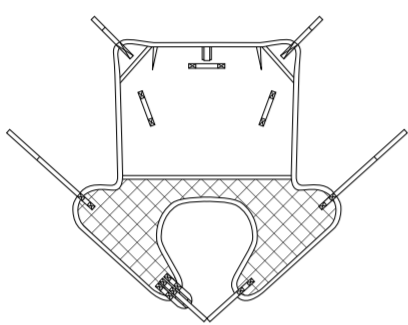
Fastfit Deluxe Sling

Product Codes - Poly: S3A, Mesh: S3B



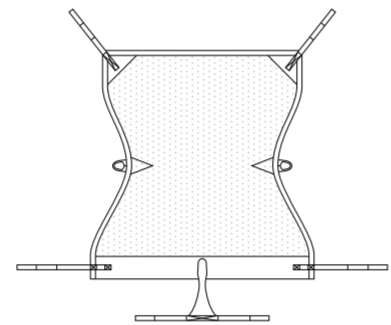
Universal Deluxe Sling

Product Codes - Poly: S4A, Mesh: S4B



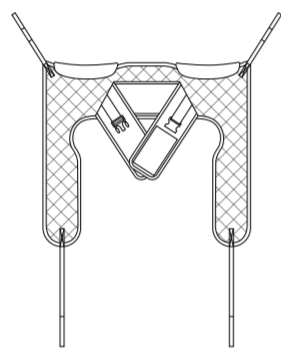
Recline Sling

Product Codes - Superfine Plus F15



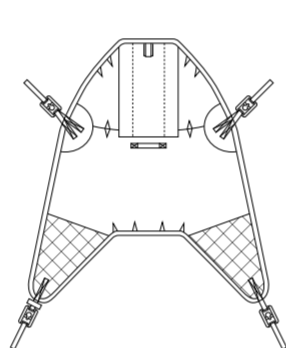
Dress/Toileting Sling (Padded Roll)

Product Codes - Poly: ST2A, Mesh: ST2B



High Easy Sling (Clip)

Product Codes - Poly: HYA, Mesh: HYB

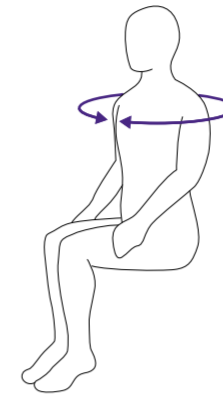


Measuring

Shoulder Circumference

Measure this area for:

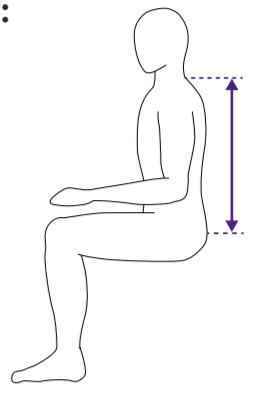
Fastfit
Fastfit Deluxe
High Easy
Recline
Universal Deluxe



C7 to Base of Spine

Measure this area for:

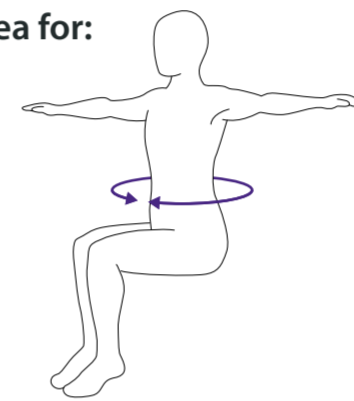
Fastfit
Fastfit Deluxe
Universal Deluxe



Waist Circumference

Measure this area for:

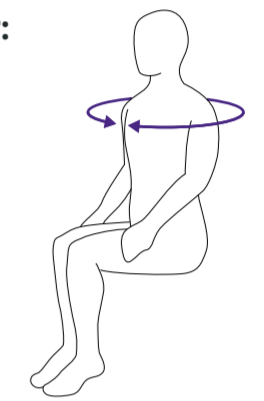
Dress/Toileting



Under Arm

Measure this area for:

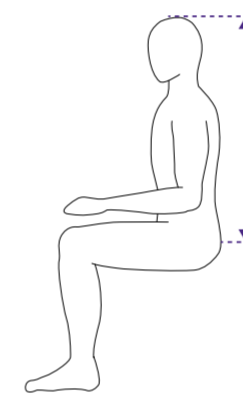
Dress/Toileting



Top of Head to Base of Spine

Measure this area for:

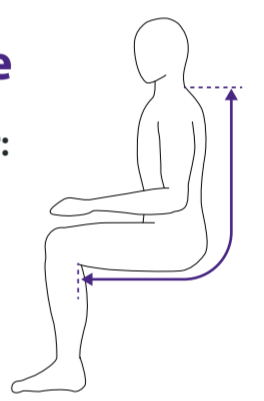
High Easy



C7 to Base of Spine Under Buttock to Back of Knee

Measure this area for:

Recline



Training Notes



Fastfit

Optional Extras: Head Support, Hip Tapes, Chest/Waist Support

- Full body supportive sling
- Divided padded leg sections
- Ideal for general transfers
- Small aperture for hygiene purposes
- Colour coded loops

Fastfit Deluxe

Optional Extras: Head Support, Hip Tapes, Chest/Waist Support

- Full body supportive sling
- Padded leg sections offer full femur support
- Good support to the thigh and hip areas with an outside leg pickup
- Small aperture for hygiene purposes
- Colour coded loops
- Can be used for long limb amputations (knee or below).

Universal Deluxe

Optional Extras: Head Support, Hip Tapes, Chest/Waist Support

- Full body supportive sling
- Angled padded leg sections offer full femur and hip support
- Ideal for general transfers
- Small aperture for hygiene purposes
- Colour coded tapes

Recline

Optional Extras: Head Support, Hip Tapes, Chest/Waist Support

- Designed to provide closed leg full-body support on transfer
- Pommel strap for additional comfort and safety
- To be applied in a supine position
- Soft binding as standard
- Once the patient has been transferred, this sling can be left in-situ, subject to an appropriate risk assessment
- Fitted coloured loop tapes as standard

Dress/Toileting

Optional Extras: Head Support

- Easy to apply padded sling
- Underarm padded roll supplied for comfort
- Built in waist support with clunk-click fastening
- Good access for hygiene purposes

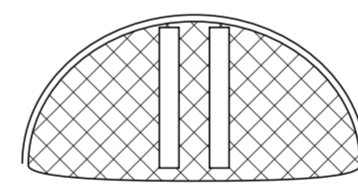
High Easy

Optional Extras: Chest/Waist Support

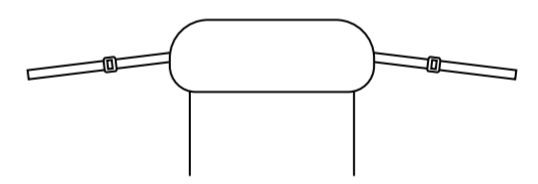
- Full body sling with head support
- Divided padded leg sections
- Removable head support stiffeners
- Ideal for general transfers
- Small aperture for hygiene purposes
- Universal clip fixings

Variants and Extras

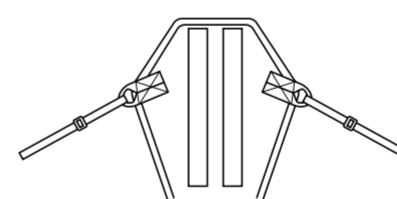
Arched Head Support



Roll Down Head Support

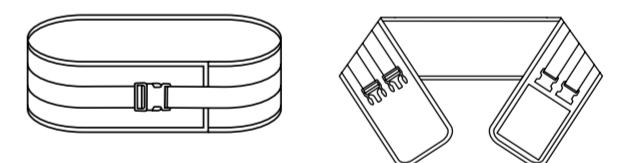


Toileting Head Support

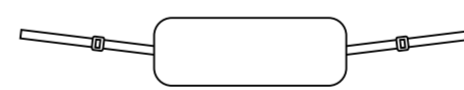


Chest/Waist Supports

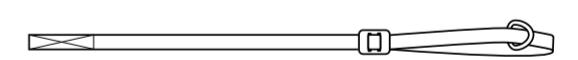
(Clunk-click buckle may not always be included)



Towelling Neck Roll



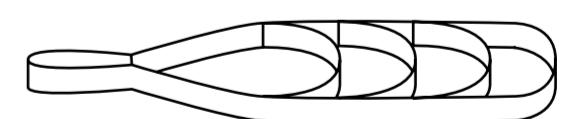
Hip Tapes



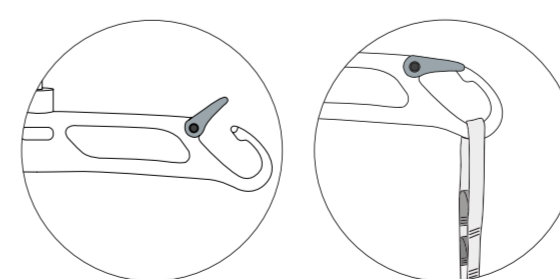
Colour Coded Silva-Safety Slot®



Colour Coded Loop Tapes



Hoist Spreader Bar, Loop Fixing



Hoist Spreader Bar, Clip Fixing

(High Easy Sling ONLY)

