

Patient Lifting

The **Next** Generation

Silvalea are pleased to introduce to the UK and EU marketplace our new **Clinical** and **Essential** range of **Savaria Lifters**.

Design advantages for patient, caregiver and facility:

- Digital displays
- Selectable speeds
- Bluetooth / Wi-Fi connectivity

Lithium-ion technology provides huge performance advantages across the board:

- Smoother operation
- Faster charging
- More lifting cycles on a single charge
- More powerful lifting

Key Features:

- Infection control
- Enhanced durability
- Ease of use
- Low cost of ownership
- 3-Down™ three-mode powered emergency function (patent pending)

For all enquiries and distribution opportunities, please contact our hoisting team on:

equipment@silvalea.com



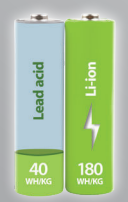
M-Series Clinical



M-Series Essential



M-Series Clinical



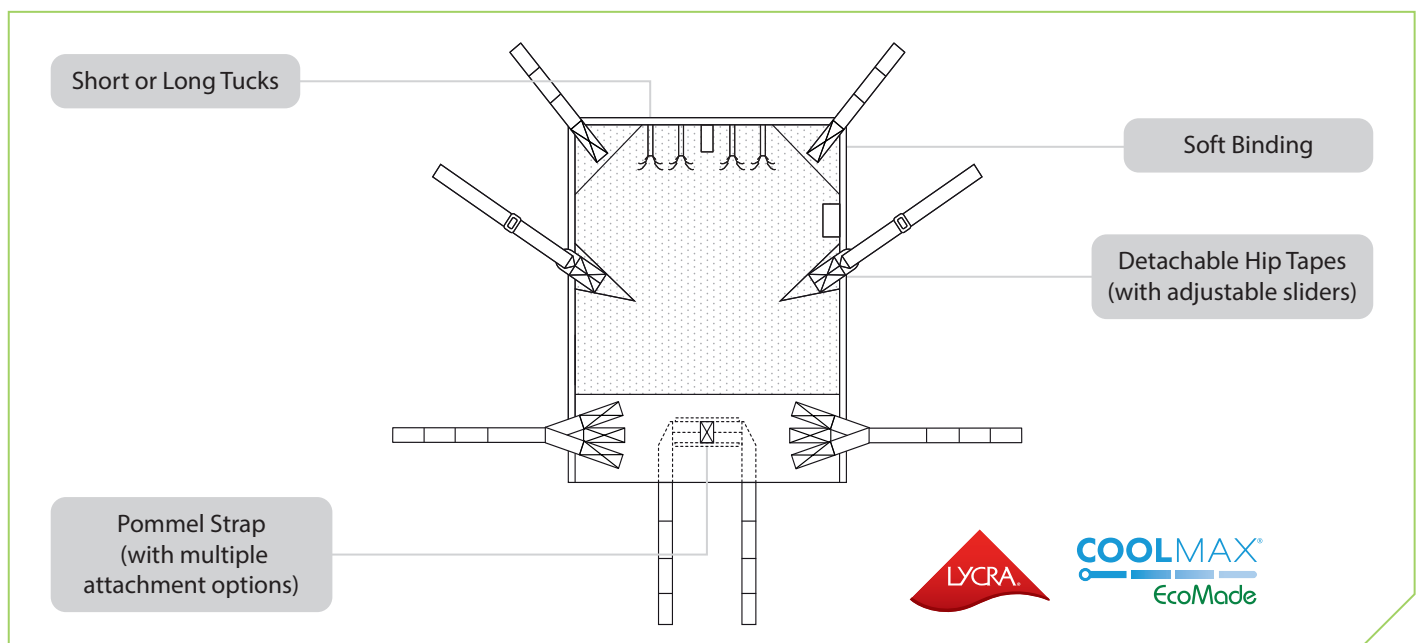
In-Situ Bariatric Comfort Care

Embracing the **Future**

Silvalea are pleased to introduce to the UK and EU marketplace our new **In-Situ Bariatric Comfort Care** sling.

The **In-Situ Bariatric Comfort Care** sling is innovative due to its clever tailoring that provides optimum support for varying body shapes, making it suitable for plus-sized patients.

Additionally, it features a pommel strap with multiple attachment options for flexibility based on individual needs, and its fabric technology (**COOLMAX®** and **COOLMAX FreshFX® EcoMade**) enhances comfort by helping to keep patients cool and dry. These unique design elements set it apart from traditional slings.



For all enquiries and distribution opportunities, please contact: customerservices@silvalea.com